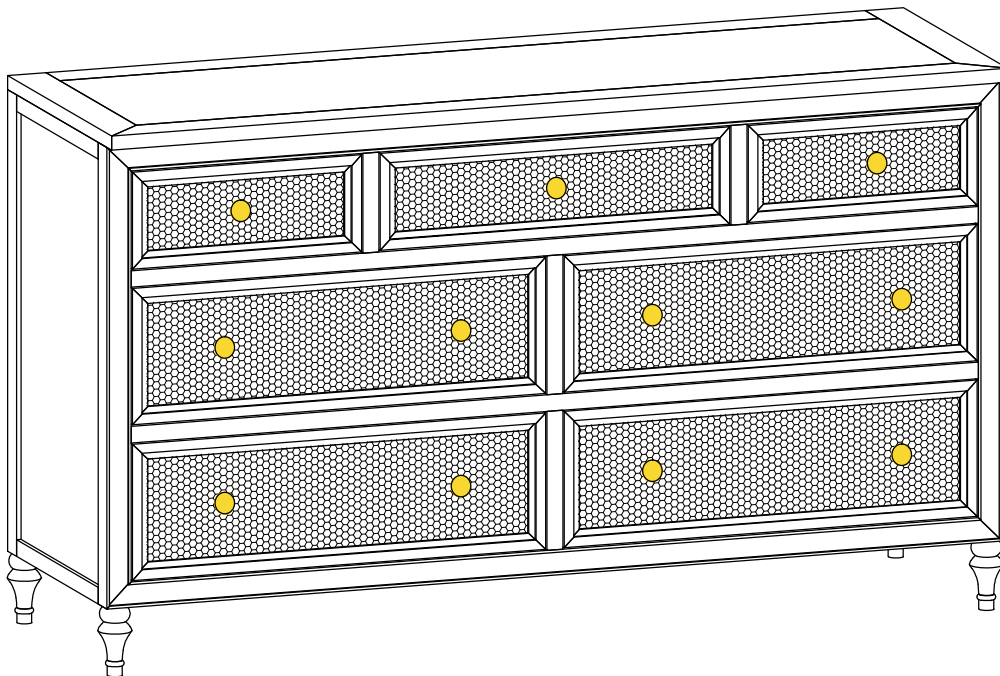


feather & black

Salcombe Vintage Warm 7 Drawer Wide Chest - Assembly Instruction

Product size

W140xD45xH82 cm



If you require any advice during assembly, please call our customer service team on
01243 380600

Please retain these assembly instruction for future use

feather & black

Salcombe Vintage Warm 7 Drawer Wide Chest - Assembly Instruction

Before you start

Thank you for purchasing this Salcombe Vintage Warm 7 Drawer Wide Chest.

Please read these instructions fully prior to assembly to familiarise yourself with the various stages of construction. Carefully open all packs supplied and check the contents against the parts and fittings check list.

Do not destroy any of the packaging until you are certain that you have all the necessary parts for the assembly.

This item is heavy once assembled. Please try to assemble the item as close as possible to the point of use. Take care when moving the item to avoid personal injury or damage to the product and always lift rather than drag.

There are small components used in the construction of this furniture as well as plastic packaging, these should be kept away from young children whilst assembling.

Product Safety

All assembly fastenings should always be tightened properly, and care should be taken to ensure that no fittings are loose.

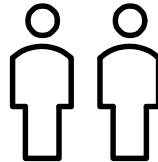
Periodically check and ensure that all components are in their proper position, free from damage, and that all connectors are tight.

Please note depending on the lighting, positioning and surroundings of your room, the shade of the colour can sometimes appear slightly different. Over a period of time the colour might lighten or fade slightly due to light exposure.

Product Care

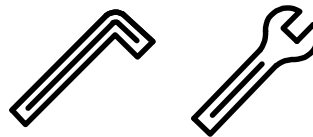
To clean, slightly moisten cloth with water and wipe surfaces. A damp cloth holds dust and prevents damage. repeat with a dry, soft, lint-free cloth. Do not use abrasives or cleaning products which may contain ammonia or solvents.

Number of people required to assemble
One people to assemble the product and two people to lift in to position.



1/2 Hour

Necessary tools



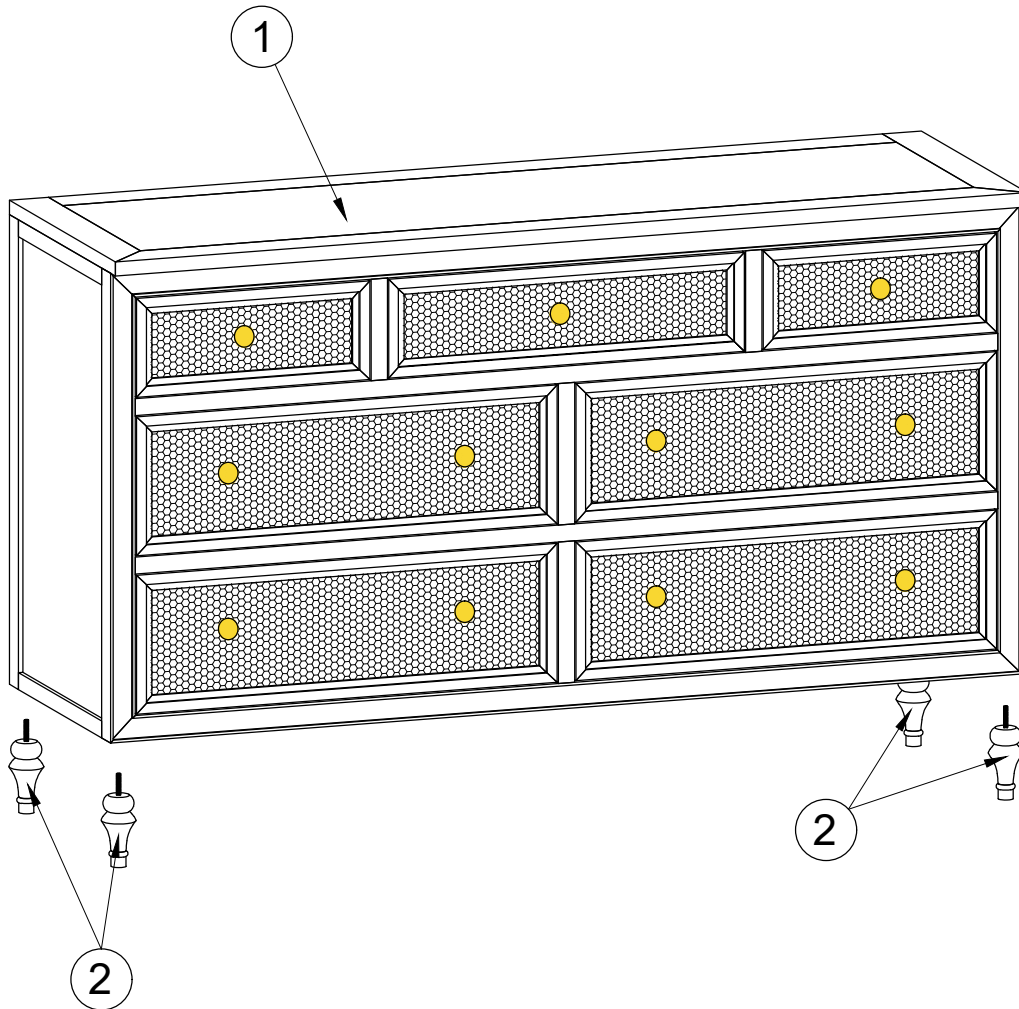
Missing parts or faulty products

If you are missing any fixtures or fitting during assembly, or a part is unfortunately faulty please call our customer service team on 01243380600

feather & black

Salcombe Vintage Warm 7 Drawer Wide Chest - Assembly Instruction

Components supplied (not actual size)



- | | |
|-------------|----------|
| (1) Cabinet | Qty:1pc |
| (2) Legs | Qty:4pcs |

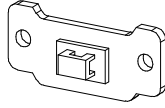
feather & black

Salcombe Vintage Warm 7 Drawer Wide Chest - Assembly Instruction

Fixtures and fittings supplied (not actual size)



(A): Plastic Anchors
($\text{\O}4 \times 35\text{mm}$)
Qty: 4 pcs



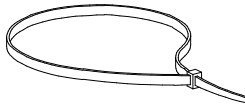
(B): Hanger Anti-Tip Kit
($\text{\O}4 \times 35\text{mm}$)
Qty: 4 pcs



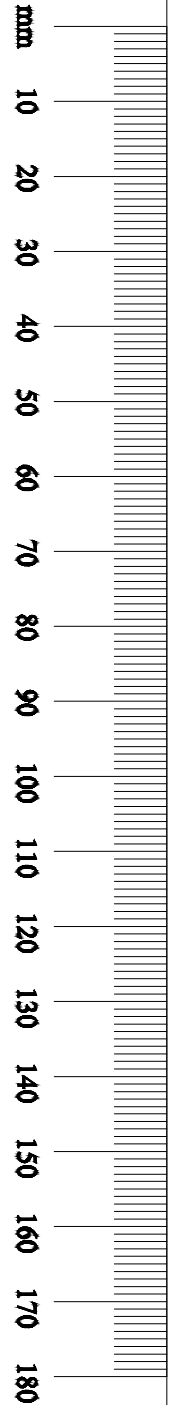
(C): Screw
(M4x35mm)
Qty: 4 pcs



(D): Screw
(M4x15mm)
Qty: 4 pcs



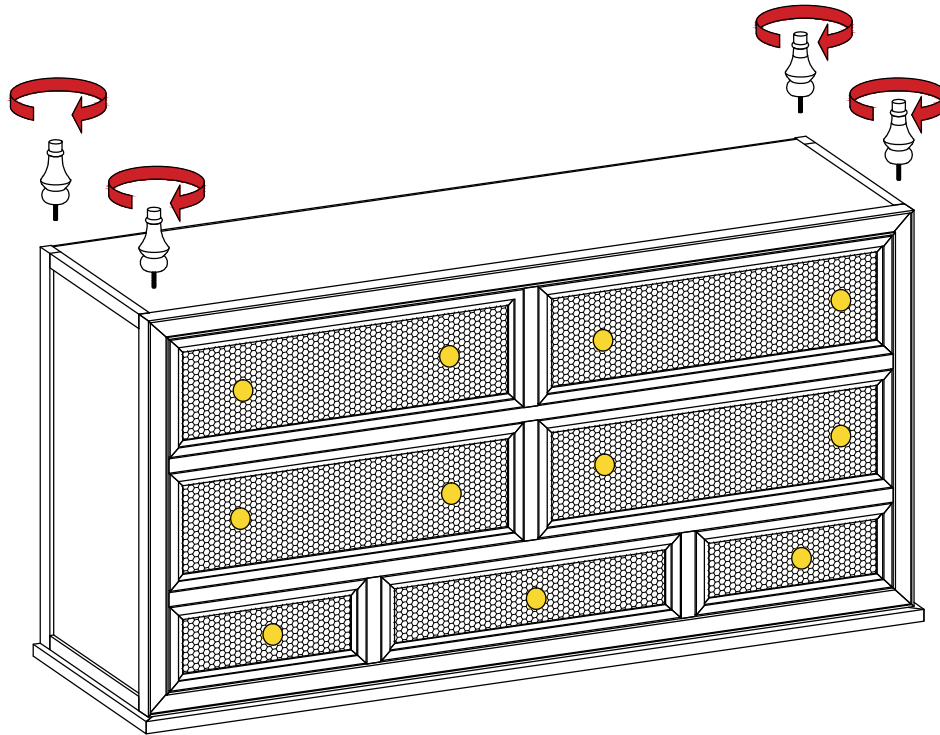
(E): Nylon Strap
Qty: 2 pcs



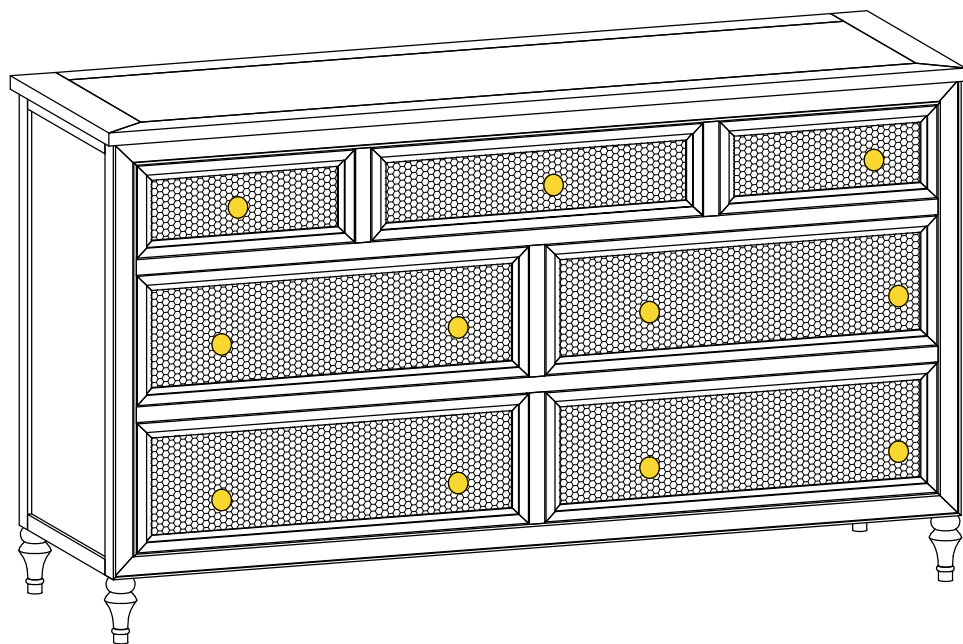
feather & black

Salcombe Vintage Warm 7 Drawer Wide Chest - Assembly Instruction

Step 1: Insert the legs into the cabinet

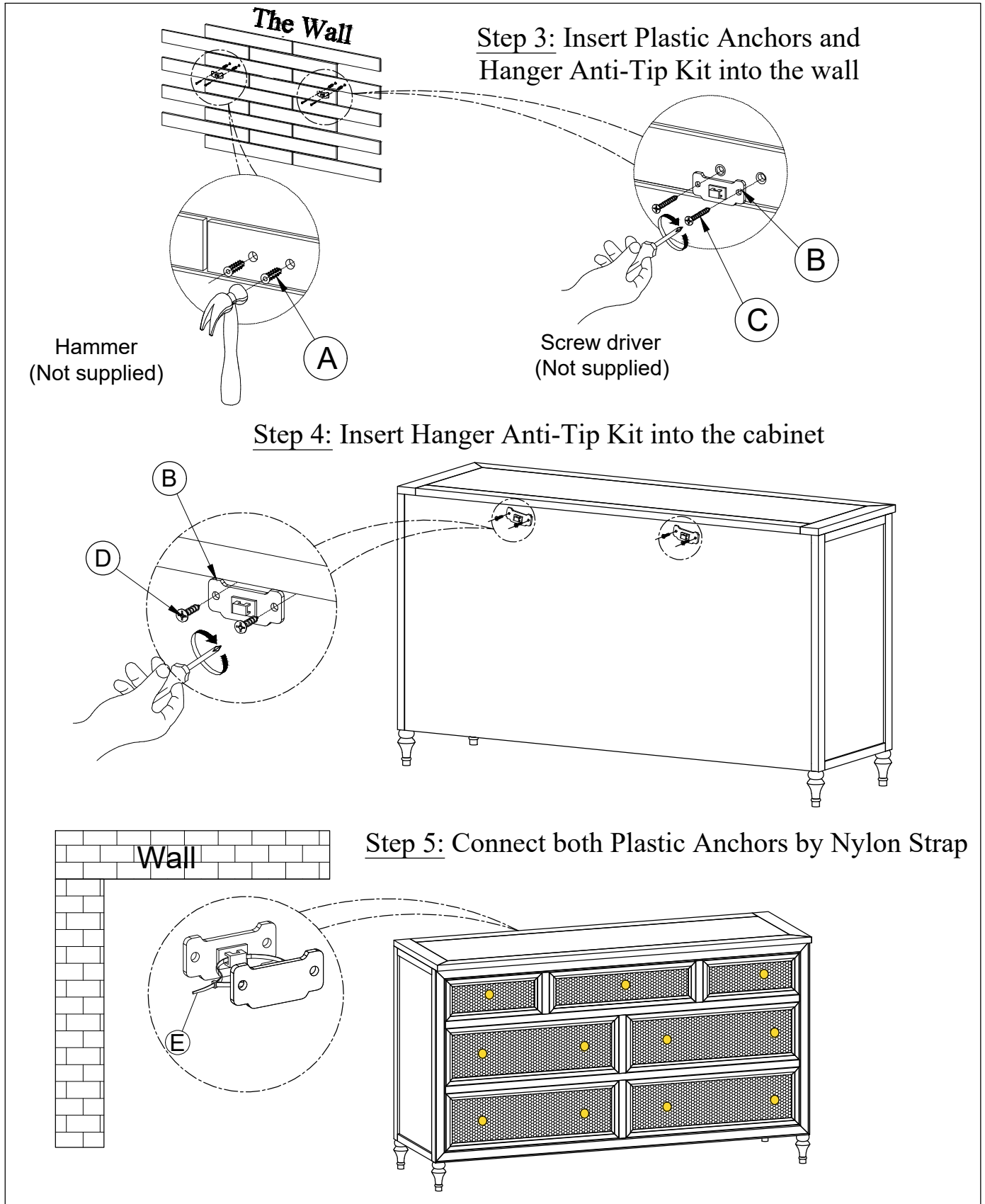


Step 2: Turn the cabinet in the right side up.



feather & black

Salcombe Vintage Warm 7 Drawer Wide Chest - Assembly Instruction



feather & black

Salcombe Vintage Warm 7 Drawer Wide Chest - Assembly Instruction

